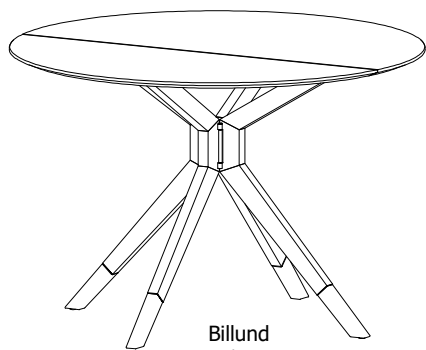


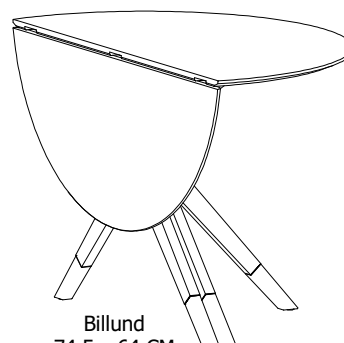
# Billund

Design by BoConcept

Samvejledning - Assembly Instructions - Montageanleitung - Instructions d'assemblage - Instrucciones de montaje



Billund  
74,5 Ø110 CM  
Max. 30 Kg

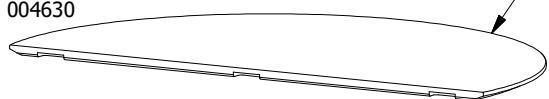


Billund  
74,5 x 64 CM  
Max. 30 Kg

## Col. 4301

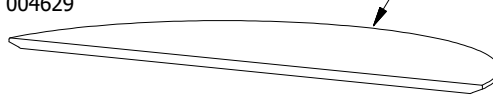
Korpus - Korpus - Carcase - Carcasse

004630



1

004629

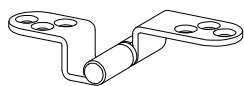


2

Beslag - Beschlage - Fittings - Set de montage

930000939 white

930000966 Black



**A x 3**

970001180



**B x 20**

970001279  
4,2x13,5



**C x 12**

970000786  
4,0x16



**D x 1**

970001694



**E x 2**

970001668 Elgv.  
970001973 Black  
M6x40

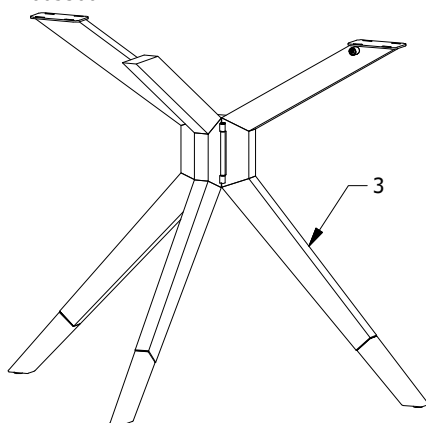


**F x 1**

970001674 White  
970001788 Black

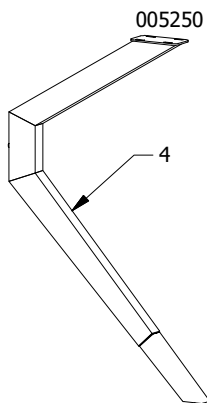
## Col. 4302

005300



3

005250



4

Spare part bag 937000101



970000956 x1  
adjustment



970001664 x 3  
Fod pad

Værktøj - Werkzeuge - Tools - Outils

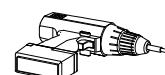


FIG. 1

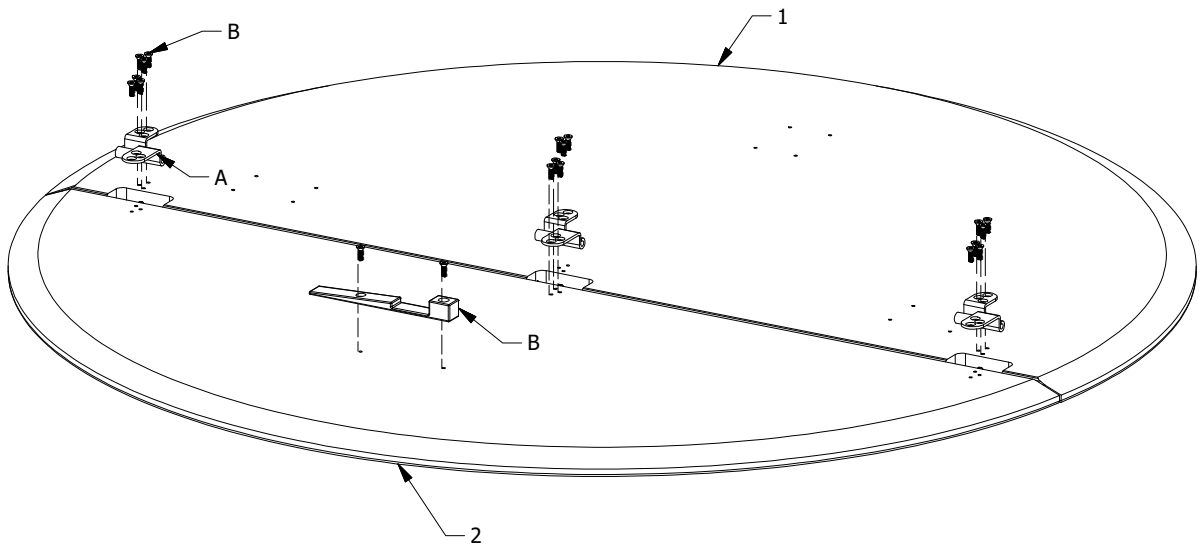
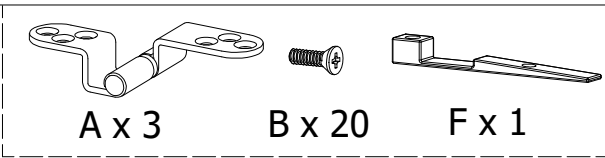


FIG. 2

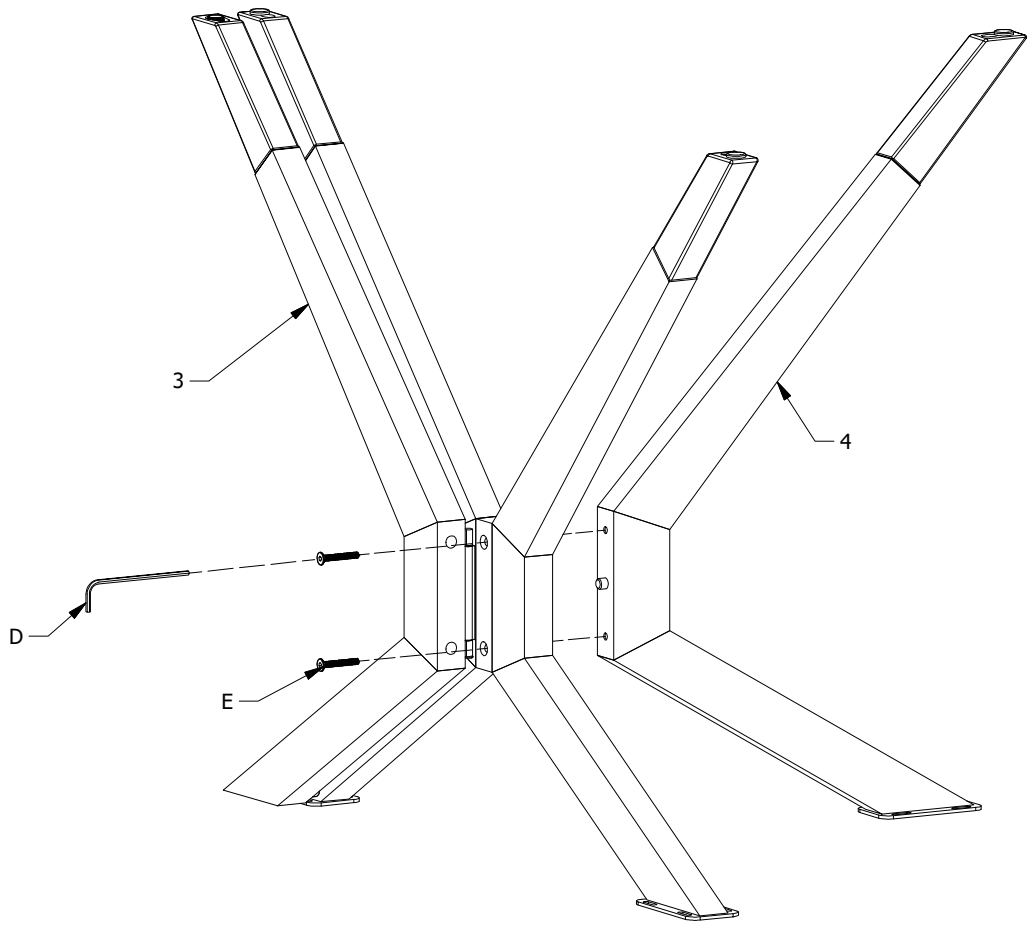
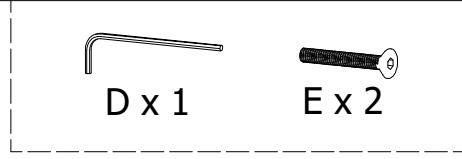


FIG. 3

C x 12

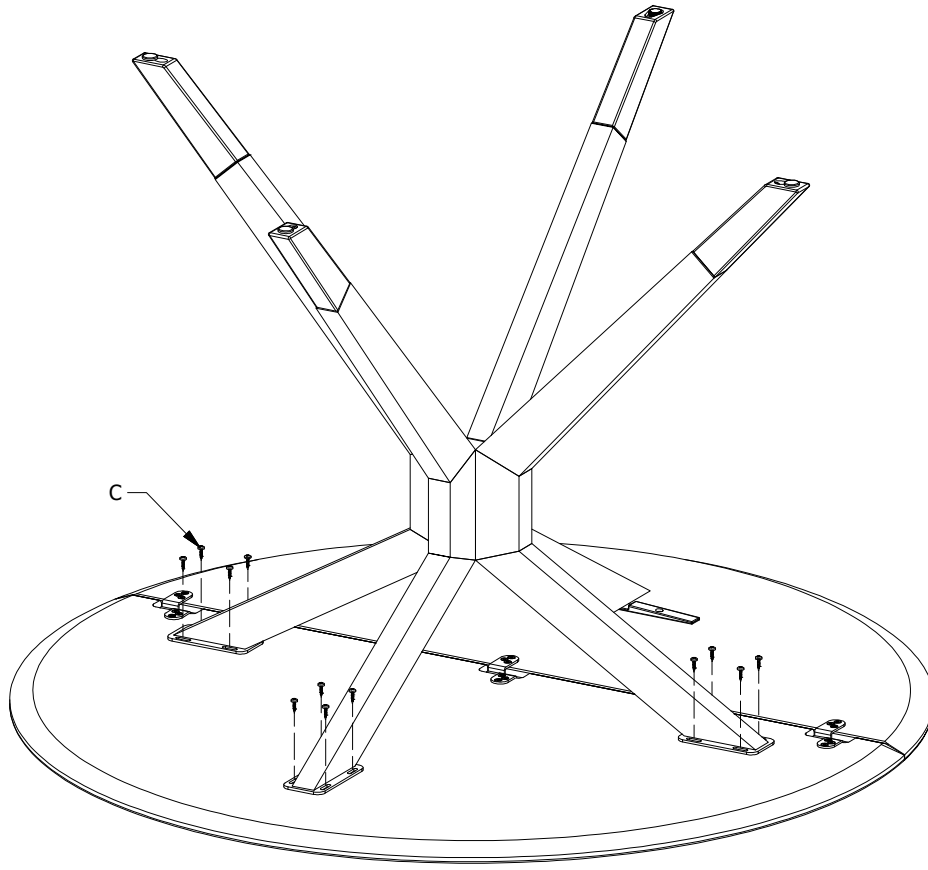
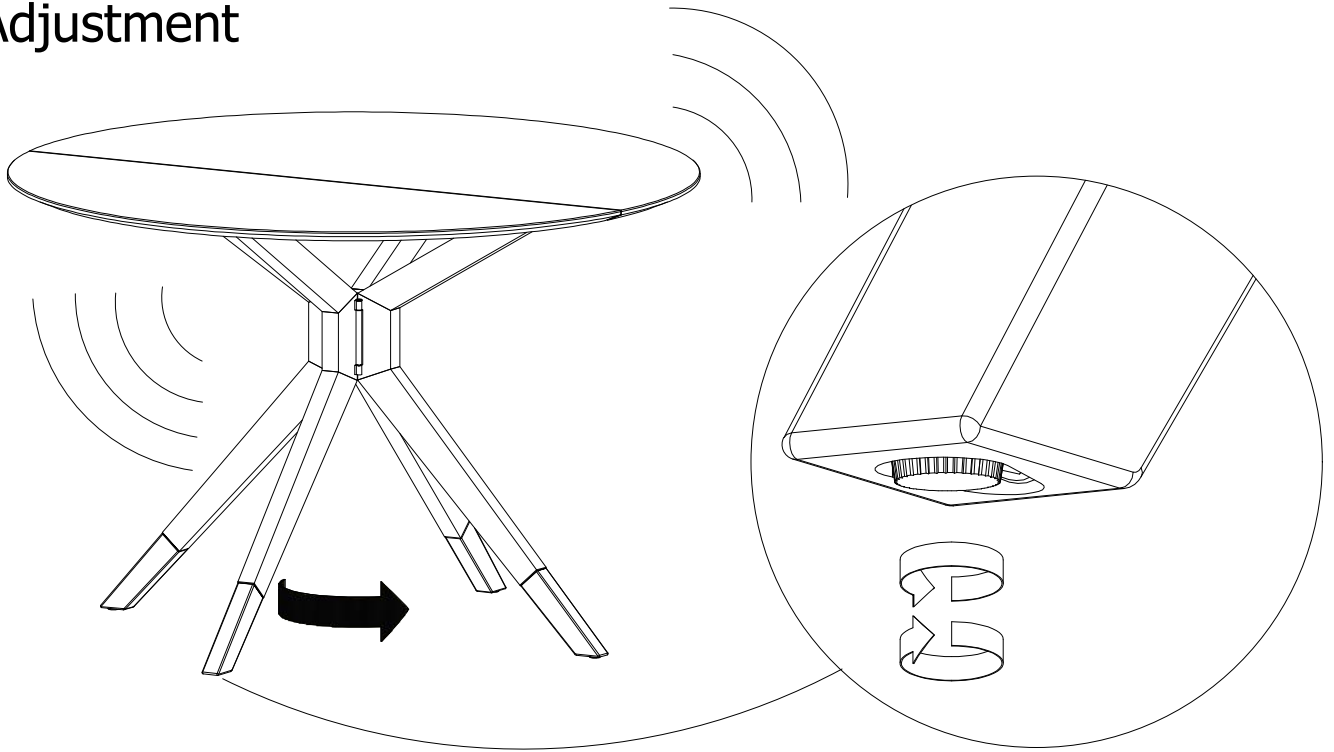


FIG. 4

## Adjustment



**!** DK Ved reklamation oplyses følgende:  
 D Im Reklamationsfall, bitte folgendes erläutern:  
 US In case of claims, please state the following:  
 F En cas de réclamation, veuillez indiquer:  
 NL Bij service volgene mededelen  
 E En caso de reclamación, indicar lo siguiente:  
 P No caso de reclamação, por favor indique o seguinte:  
**■** JP お気づきの点等ございましたら、以下の点をお知らせください。

### Example!

|                                      |  |  |  |                      |                     |
|--------------------------------------|--|--|--|----------------------|---------------------|
| Korpus - Korpus - Carcase - Carcasse |  |  | Beslag - Fittings - Beschläge - Set de Montage |                      |                     |
|                                      |  |  |  |                      |                     |
|                                      |  |  | A X 8<br>1972000014                            | B X 12<br>1972000004 | C X 4<br>1979110800 |
|                                      |  |  |  |                      |                     |
|                                      |  |  | D X 2<br>1970120000                            | H X 2<br>1978504022  | J X 8<br>1978204210 |